
Instrumentation & Automation Applied On Sailing Race Boat



Benoît Piquemal & Matthieu Robert

Sailing Race Boat



Plan

1. Evaluate our fuel and how to optimize it
2. Control of sailing boat
3. System architecture

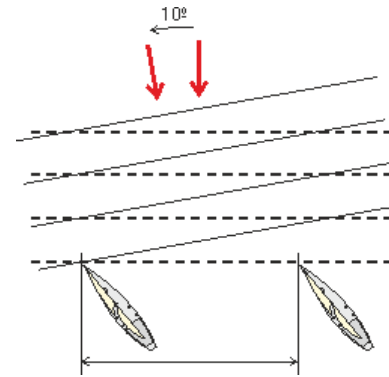
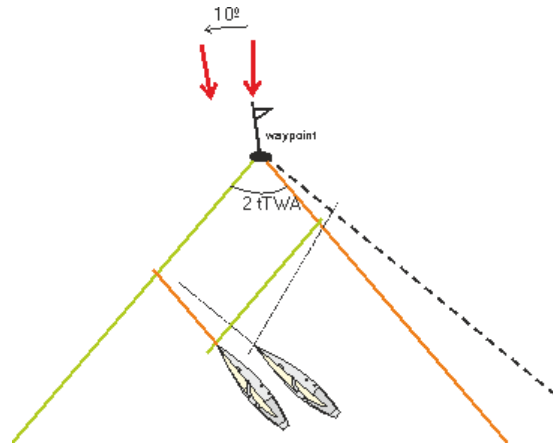
Le voilier est un étrange véhicule

The sailboat is a strange vehicle

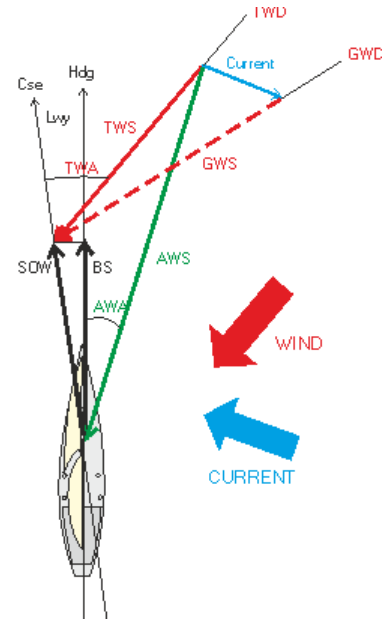
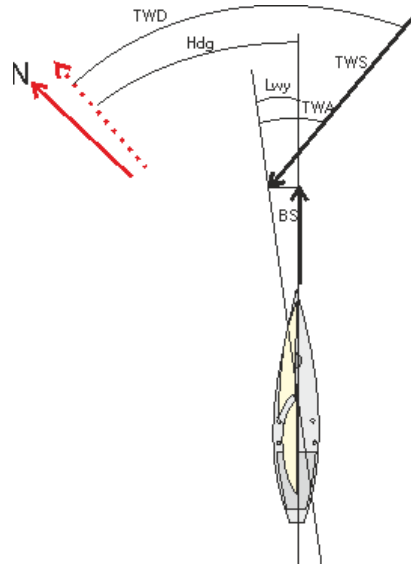
il navigue entre deux fluides de densité différentes: un gaz et un liquide. Bertrand Chéret, famous saildesigner



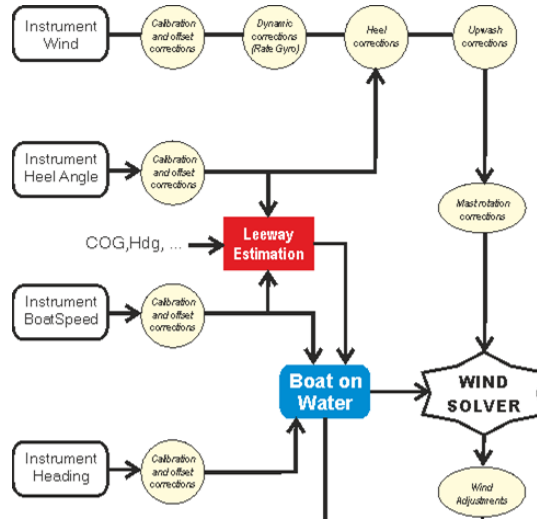
Play with the wind



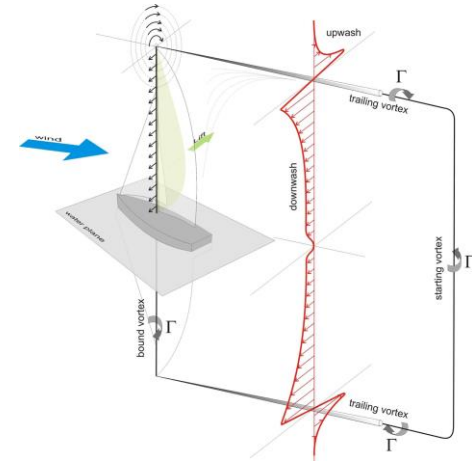
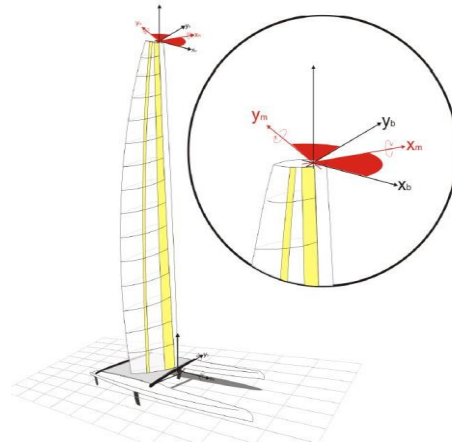
The wind measuring



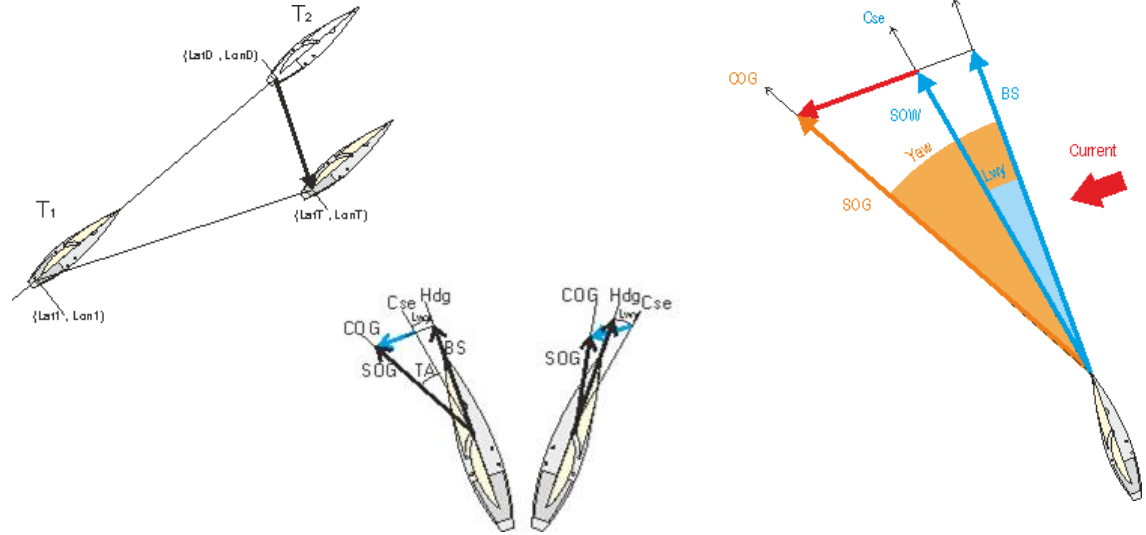
Wind Calculation Process



Instruments Wind Correction



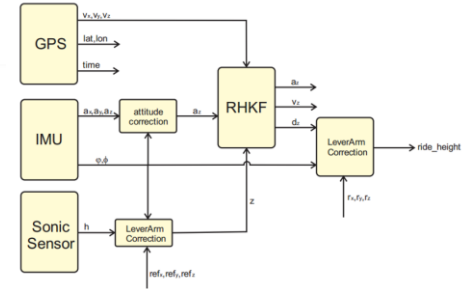
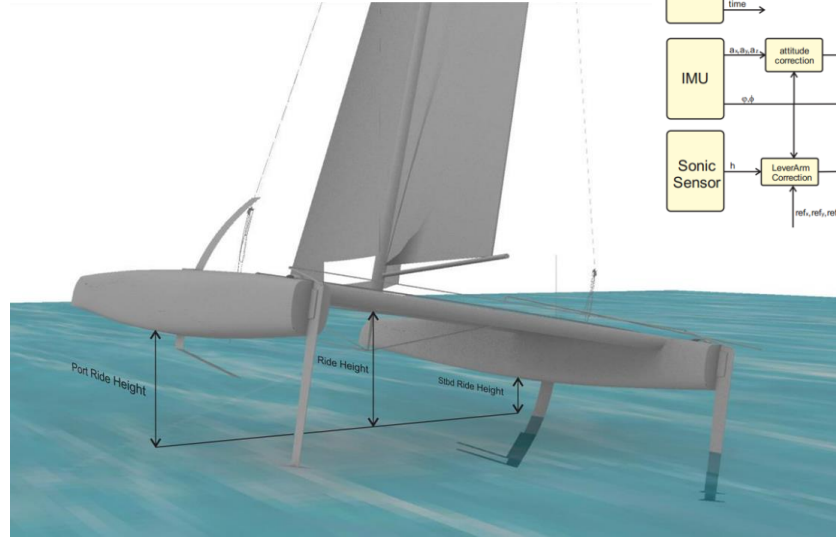
Leeway estimation



Today, the sailing boats are flying!



Foiling Measurement



Controls & Command

Available commands on a sailing boat:

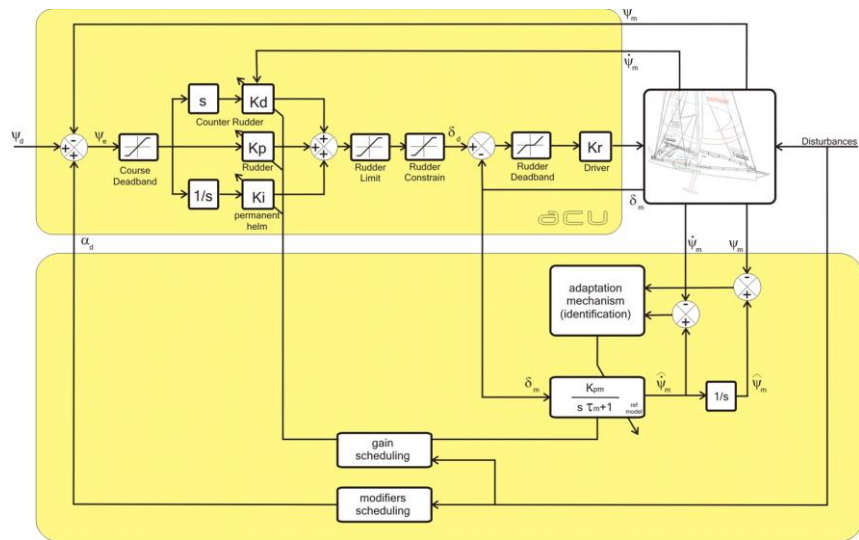
- Sheet
- Rudder

Performance

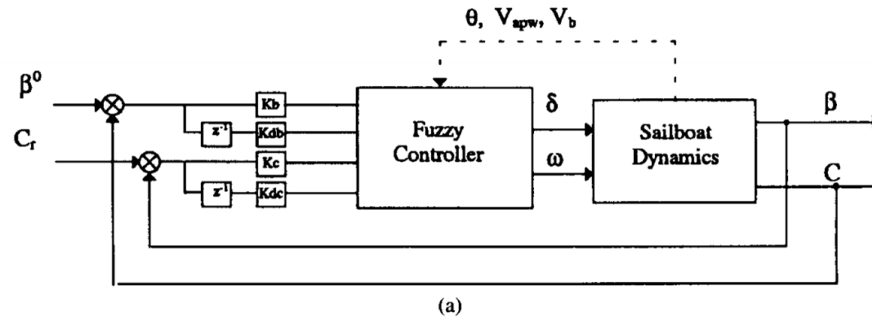
Security : man over board

Manoeuvre : gybe, tack

PID Wind driven



PID Fuzzy logic



The new commands for foiling



Environnement detection

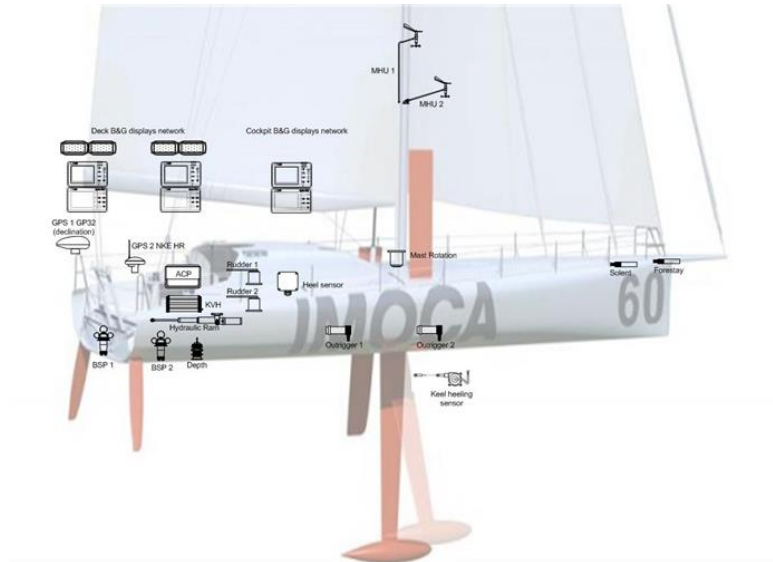
OFNI (UFO) : Whales, container

Wave

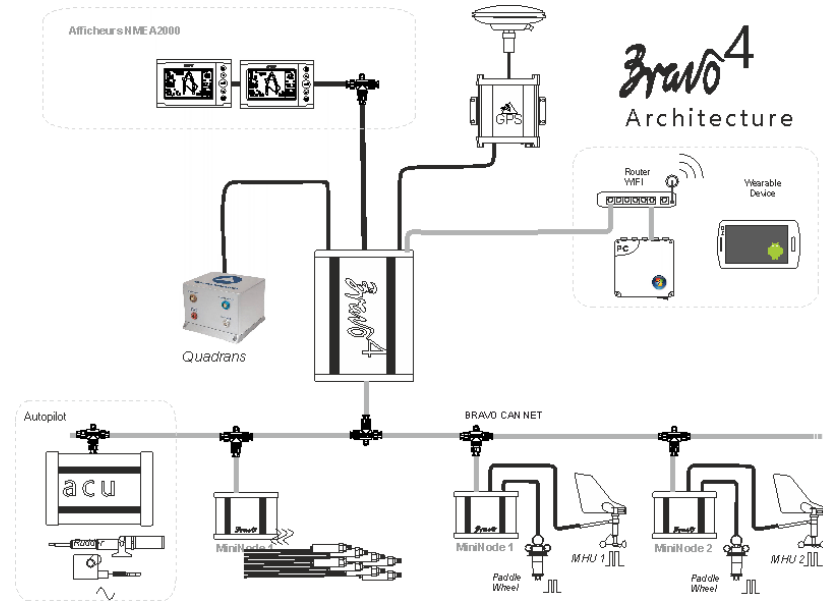
Wind



Instrumentation



Architecture



Questions

